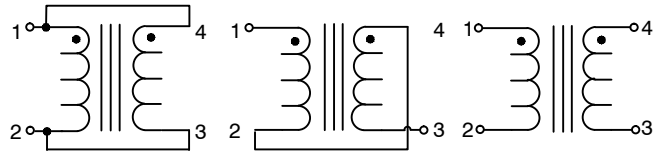


The information contained in this drawing is the sole property of CWS Coil Winding Specialist.
Any reproduction in part or whole without written permission of CWS Coil Winding Specialist is prohibited.



PARALLEL SERIES TRANSFORMER

- 6 AND REVISION WHERE SHOWN IF APPLICABLE MARK PART NUMBER
- 5 REMOVE INSULATION AND TIN LEADS
- 4 WIND ON TO CORE AND EVENLY SPACED CONSTRUCTION:

TO INSURE INTERGRITY OF WINDING SEPARATION
HI-POT TEST FOR WINDING TO WINDING = 300 VDC MIN.
MAX DCR IS ± 15% OF TYPICAL VALUE.
SERIES DCR= 3.148 OHMS TYP @ 20 °C
SERIES RMS CURRENT = 0.37 AMPS.
PARALLEL: (1,4 - 3,2), SERIES: (1 - 3) TIE (2 - 4).
@ 100 KHZ, 0.250 VRMS, 0.0 ADC,
SERIES OPEN CIRCUIT INDUCTANCE = 1211 uH ± 25 %,

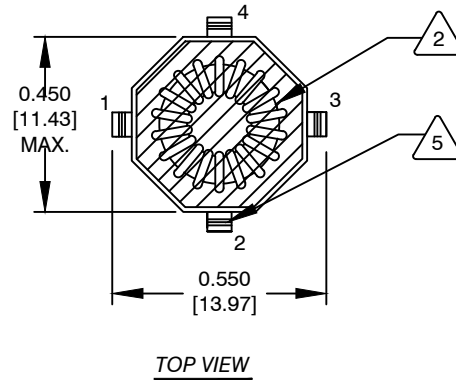
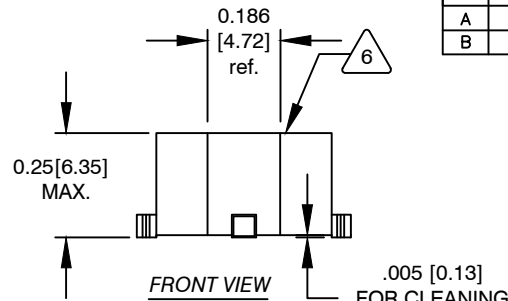
MAX DCR IS ± 15% OF TYPICAL VALUE
PARALLEL DCR= 0.787 OHMS TYP @ 20 °C,
DELTA TEMP 40 °C, AMBIENT TEMP 85 °C.
PARALLEL RMS CURRENT = 0.75 AMPS @
PARALLEL (1,4 - 3,2), SERIES (1 - 3) TIE (2 - 4).
@ 100 KHZ, 0.250 VRMS, 0.0 ADC,
PARALLEL OPEN CIRCUIT INDUCTANCE = 302.8 uH ± 25 %,
PARALLEL RATED INDUCTANCE = 300.0 uH

3 SPECIFICATIONS:

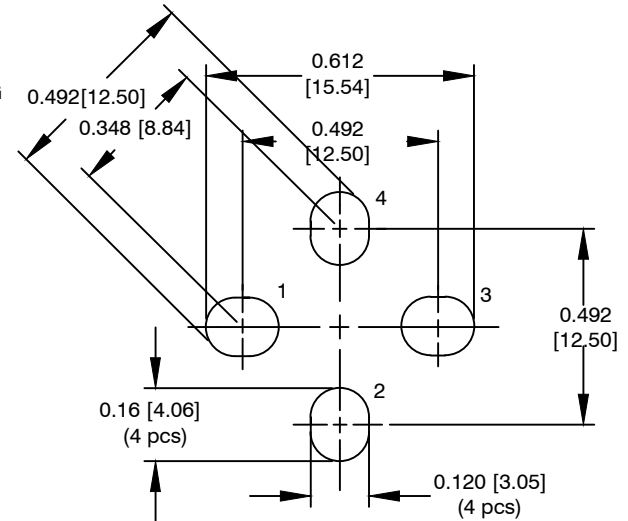
WIRE: UL RECOGNIZED 130°C RATING MAGNET WIRE
CWS BYTEMARK OR OTHER APPROVED PART
CORE: TOROID

- 2 BOBBIN RATING CLASS B (130°C) REQUIRED
- 1 MATERIAL: UL RECOGNIZED 94V-0 FOR FLAMMABILITY

NOTES: UNLESS OTHERWISE SPECIFIED. READ FROM BOTTOM UP.



| REVISION HISTORY | | | | | | |
|------------------|-----|---------------------------|-------------|---------|------|---------|
| REV | ECN | DESCRIPTION | SIGN & DATE | | | |
| | | | BY | DATE | CHK | DATE |
| A | | PRODUCTION RELEASE | RPR | 4/26/05 | JLAU | 4/26/05 |
| B | | FOOTPRINT AND NOTE UPDATE | RJL | 4/30/11 | JLAU | 4/30/11 |



MOUNTING HOLES PATTERN

UNLESS OTHERWISE SPECIFIED
DIMENSIONING AND TOLERANCE PER ANSI Y14.5M
ALL DIMENSIONS ARE IN INCHES AND [MILLIMETERS].
TOLERANCE INCHES:
.XXX=±.010 .XX=±.015 $\angle=±0°30'$
TOLERANCE METRICS:
.XXX=±.254 .XX=±.38 $\angle=±0°30'$
ANGLE PROJECTION
DO NOT SCALE DRAWING

| QTY | CODE IDENT | MFG. P/N | DESCRIPTION | ITEM NO. |
|-------------------|------------|----------|---|--|
| PARTS LIST | | | | |
| AUTOCAD | | X | | |
| SOLIDWORKS | | | | |
| SIGN | | DATE | sales@coilws.com www.coilws.com | Coil Winding Specialist, Inc. 353 W. Grove Avenue Orange, CA 92865 |
| DRAWN | RPR | 4/26/05 | Parallel Series Inductor SIZE DWG. NO. CX300-4-HF SCALE NOT_TO_SCALE | |
| CHECKED | JLAU | 4/26/05 | | |
| ENGR. | KSUM | 4/26/05 | | |
| APPR. | JLAU | 04/28/11 | | |
| | | | REV B | |
| | | | SHEET 1 OF 1 | |